

SCISSOR LIFT SYSTEMS



4'x12' platform
22' Raised Height
4' Lowered Height
2 Available after Jan. 2010

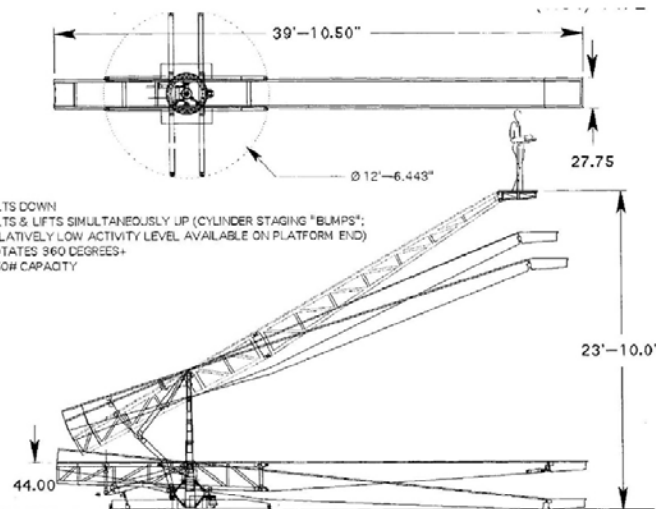


6'x8' platform (enlargeable)
7' Raised Height
1' Lowered Height
6 Available
5000 lb capacity



8'x10' platform (enlargeable)
8' Raised Height
1.2' Lowered Height
1 Available
Lifts are two separate units
so they can be spaced as
wide as needed.

HYDRAULIC CHERRY PICKER



Boom arm lives flush in the deck, then elevates up, increasing in angle as it rises.

Once at full height, arm can pivot 360 degrees



THE MAGIC CARPET (ELEVATING CATWALK GAG)



3'x14' platform

14' Raised Height

4' Lowered Height

ARTIST LIFTS

ShowFX has an inventory of over 2 dozen Electrically and Hydraulically Powered Lifts.

For slow smooth movement, our electrically powered lifts are a perfect solution.

For Variable speed from slow and smooth to launching catapult speed, our Hydraulic Lifts should be used.



RIBBON LIFTS

- 30'' dia platform
- 21' Raised Height
- 4' Lowered Height
- 3 Available





TURNTABLE

15' dia Platform
8" Raised Height
1 Available



10' dia CARPETED DECK

with Grated panel
Variable heights with legs
2 Available

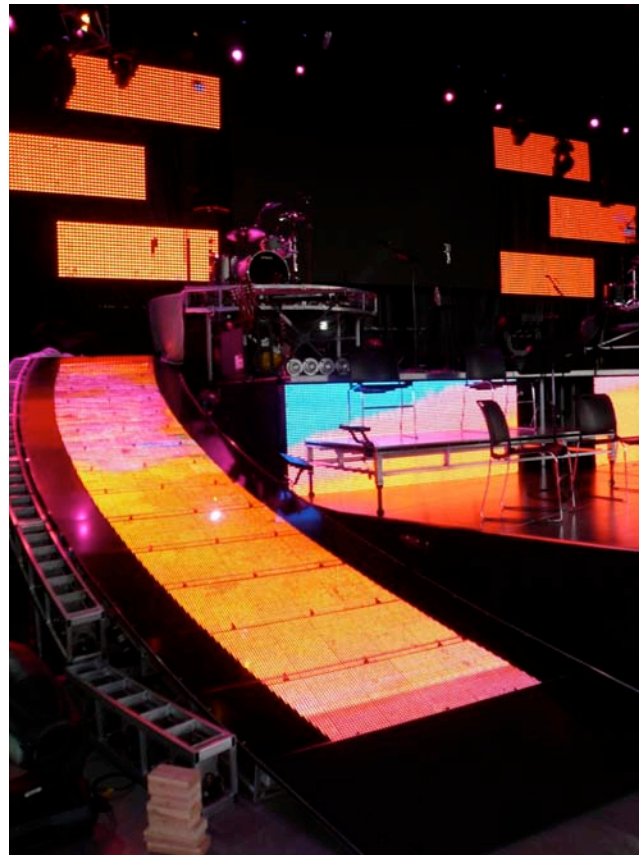


GRATED CATWALK

24" wide x 50' long
30" min Height, adjustable to 6'



8' TALL CURVED
STAIRCASE
right and left available



CURVED VIDEO DECK RAMPS

6' Wide x 35' Long

3/4" clear acrylic top

Accepts LED Modules

Right and Left Available